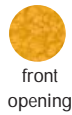


WORK-BLOCK Vices

Steel vices



Jaw widt 80 mm



Order no. Suitable for:

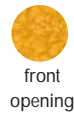
FBL 1010 00 00 Wooden worktop

FBL 1010 01 00 Steel worktop

A = 100 mm **D =** 83 mm
B = 330 mm **E =** knurled
C = 80 mm **G =** 4 Kg



Jaw widt 110 mm

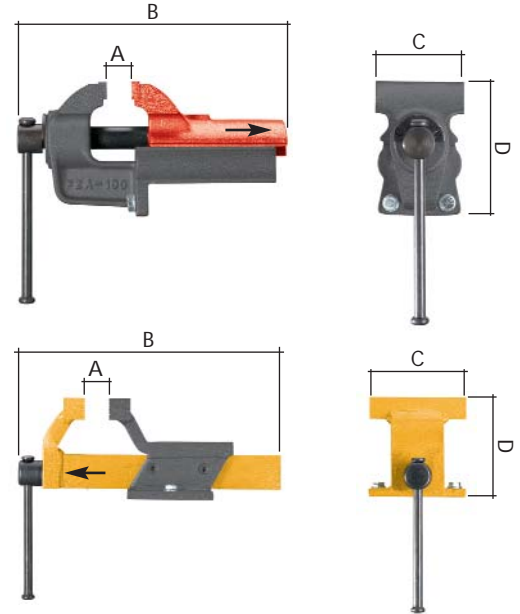


Order no. Suitable for:

FBL 1015 00 00 Wooden worktop

FBL 1015 01 00 Steel worktop

A = 120 mm **D =** 113 mm
B = 385 mm **E =** knurled
C = 110 mm **G =** 7 Kg

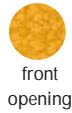


A = maximum jaw opening
 B = maximum width of vice
 C = width of jaws
 D = height of vice

E = knurled jaws
 G = weight of vice



Jaw widt 130 mm



Order no. Suitable for:

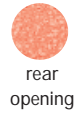
FBL 1020 00 00 Wooden worktop

FBL 1020 01 00 Steel worktop

A = 140 mm **D =** 137 mm
B = 430 mm **E =** knurled
C = 130 mm **G =** 11 Kg



Jaw widt 120 mm



Order no. Suitable for:

FBL 1065 00 00 Wooden worktop

FBL 1065 01 00 Steel worktop

A = 175 mm **D =** 187 mm
B = 510 mm **E =** knurled
C = 120 mm **G =** 24 Kg

Cast iron vices



*Jaw widt 100 mm



Order no. Suitable for:

FBL 1110 00 00 Wooden worktop

FBL 1110 01 00 Steel worktop

A = 140 mm **D =** 153 mm
B = 445 mm **E =** knurled
C = 100 mm **G =** 11 Kg



*Jaw widt 120 mm



Order no. Suitable for:

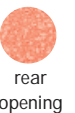
FBL 1120 00 00 Wooden worktop

FBL 1120 01 00 Steel worktop

A = 185 mm **D =** 180 mm
B = 520 mm **E =** knurled
C = 120 mm **G =** 18 Kg



**Jaw widt 150 mm



Order no. Suitable for:

FBL 1130 00 00 Wooden worktop

FBL 1130 01 00 Steel worktop

A = 220 mm **D =** 210 mm
B = 615 mm **E =** knurled
C = 150 mm **G =** 25 Kg

*Cast iron vices can not be assembled on 30 mm thickness worktops.

**For wooden worktops 50 mm h only.