



The FAMI trolleys have been especially designed and produced to lift and transport polypropylene and metal stacking and storage containers in order to satisfy the requirements of modern companies for rapid and functional ways of handling material.

They are small mobile stores, in fact, that rationally supply warehouse storage systems and factory production lines: everything is within easy reach and in perfect order.



The trolleys are supplied standard with rubber wheels, with or without brake. Thanks to its rubber ring, this



kind of wheel is able to move extremely silently. Wheel diameter Ø 150/200 mm depending on the model.

WHEELS AVAILABLE ON REQUEST



Wheels in grey no-smear rubber
Thanks to its special rubber ring, this wheel doesn't leave the typical smears left by normal rubber wheels on floors. Wheel diameter Ø 160 mm.

Wheels in elastic rubber

Thanks to its special elastic rubber ring, this type of wheel is ideal for use in the presence of abrasion resistance, heavy loads and floors with shavings. Wheel diameter Ø 160 mm.



Inflatable wheels
Thanks to its pneumatic ring, this kind of wheel is ideal for use on bumpy floors. Wheel diameter Ø 200 mm.

Nylon wheels

Thanks to its polyamide coating, this type of wheel is ideal for heavy loads. Wheel diameter Ø 160 mm.



Polyurethane wheels
Thanks to its polyurethane coating, this type of wheel is ideal for use in the presence of abrasion resistance and heavy loads. Wheel diameter Ø 160 mm.



Thanks to the special shock absorbers and fixing pins, material can be moved and set down very simply and safely.



TROLLEYS

H.1

TROLLEYS FOR LIFTING AND TRANSPORTING STORAGE CONTAINERS

H.7

VARIOUS TROLLEYS

H.13

TROLLEYS FOR STACKING AND STORAGE CONTAINERS

TROLLEYS FOR LIFTING AND TRANSPORTING STORAGE CONTAINERS

Made from shaped steel, the trolleys are mounted on tough wheels that make them easy to manoeuvre, even when fully loaded. The special lifting device with a tubular steel draw bar can lift a pile of storage containers while the special shock absorber sets the load down slowly.

These trolleys are produced for the F LS 6500, F LA 6520, F LS 8900, F LS 8100, F LA 8920 metal stacking and storage containers as well as for the Athena and Minerva series of stacking containers.

Plastic stacking and storage containers can also be moved with these trolleys as long as the bottom container, held with the forks of the trolley, is made of metal.

Electrophoresis
painted in

02 green
RAL 6011



LIFTING AND TRANSPORT TROLLEYS



Load 300 kg



N.B. Plastic stacking and storage containers can also be moved with these trolleys as long as the bottom container, held with the forks of the trolley, is made of metal.

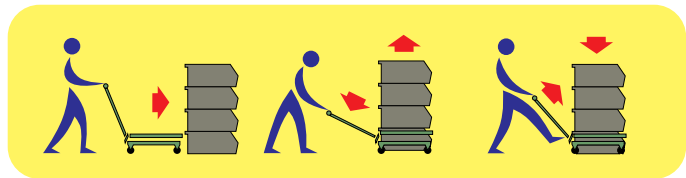


Art. R CRG 0068 00 rubber wheel with swivel support



Art. F CRN 0001 00 spare in polyurethane wheel

Art. F CR 0401 00 02
Trolley for stacking and storage containers
Art. F LS 6500 00 .., F LA 6520 00 ..
2 swivel wheels in rubber Ø 125 mm
2 fixed wheels in polyurethane Ø 125 mm
Load kg 300



transport system

see pages A.1/A.5 - B.1/B.7 for technical measurements

size 4 (500/450x300x200)



using forks for loading and unloading

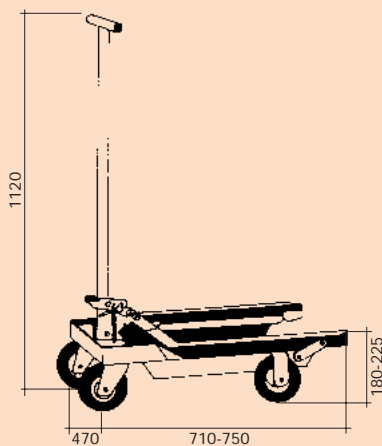
lifting and transport



detail of the profile, this allows the storage containers to be lifted both from the front and the back



the shock absorber ensures the storage containers are set down slowly



Art. F CR 0401 00 02 - measurements in mm

LIFTING AND TRANSPORT TROLLEYS



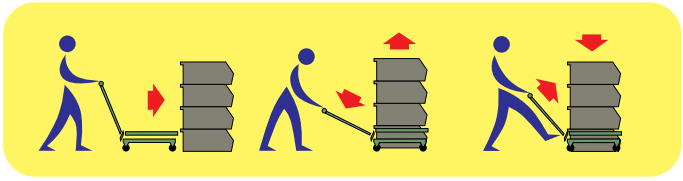
Load 300 kg



Art. R CRG 0068 00 rubber wheel with swivel support

Art. R CRN 0001 00 spare wheel in polyurethane

Art. F CR 0421 00 02
Trolley for stacking and storage containers
Art. F LS 8900 00 ..., F LS 8100 00 ..., F LA 8920 00 ...
2 swivel wheels in rubber Ø 125 mm
2 fixed wheels in polyurethane Ø 125 mm
Load kg 300



transport system

N.B. Plastic stacking and storage containers can also be moved with these trolleys as long as the bottom container, held with the forks of the trolley, is made of metal.



using forks for loading and unloading

lifting and transport



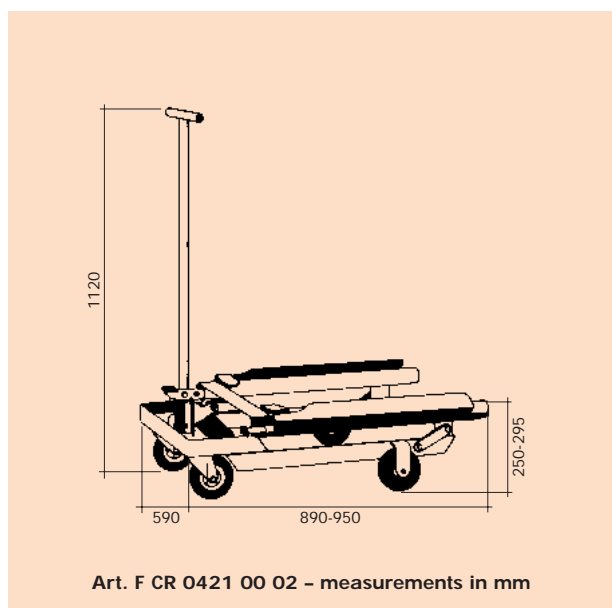
detail of the profile, this allows the storage containers to be lifted both from the front and the back



the shock absorber ensures the storage containers are set down slowly

see pages A.1/A.5 - B.1/B.7 for technical measurements

size 5 (700/630x450x300)



LIFTING AND TRANSPORT TROLLEYS



Load 300 kg



Art. F CR 0441 00 02

Only for Athena and Odette series
stacking containers
2 swivel wheels in rubber Ø 125 mm
2 fixed wheels in in polyurethane Ø 125 mm
Load kg 250

Art. R CRG 0068 00

rubber wheel with swivel support



Art. R CRN 0001 00

spare in polyurethane wheel

see pages G.1 - G.33
for technical measurements
and colours

Athena and Odette



transport system



Art. F CR 0441 00 02 - measurements in mm



using forks for
loading and
unloading

lifting and
transport



LIFTING AND TRANSPORT TROLLEYS



Load 300 kg

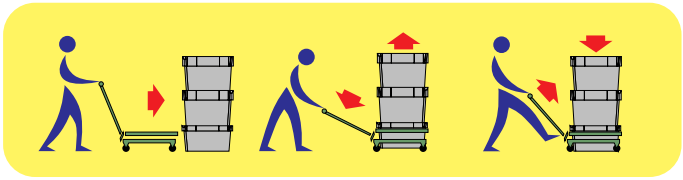


Art. R CRG 0068 00
rubber wheel with swivel support



Art. R CRN 0001 00
spare rubber in polyurethane

Art. F CR 0461 00 02
Only for Minerva Series
stacking containers
2 swivel wheels in rubber Ø 125 mm
2 fixed wheels in in polyurethane Ø 125 mm
Load kg 300




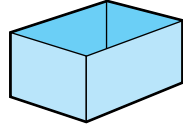
transport system



using forks for loading and unloading

lifting and transport

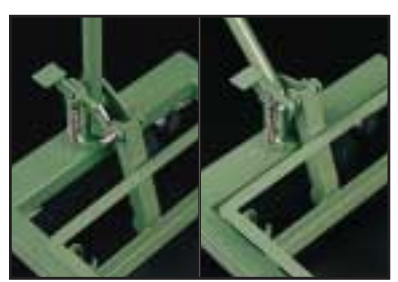
 see pages G.27 for technical measurements and colours



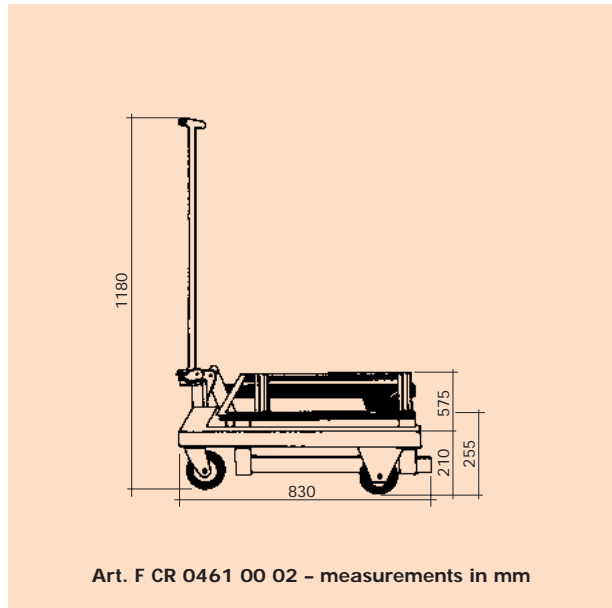
Minerva



the support can be adjusted for the various heights of Minerva stacking containers



loading/unloading system



VARIOUS TROLLEYS

As well as transporting material, the trolleys are perfect for keeping tools near machines and for transporting and storing the tools required for machine maintenance in the various departments.

Made from sheet and tubular steel, the trolleys are mounted on rubber wheels that make them perfectly smooth running and easy to manoeuvre. Some models of trolleys can be fitted with brakes for clamping the swivel wheels.

Electrophoresis painted in

02 green
RAL 6011

04 blue
RAL 5012



99 hot
galvanized



VARIOUS TROLLEYS

Made from painted sheet steel, the Art. F CR 0071 trolley is fitted with tilting and height adjustable shelves for plastic storage containers

Electrophoresis painted in

02 green
RAL 6011

04 blue
RAL 5012



Load 250 kg

Art. F CR 0071 00 02 green
Art. F CR 0071 00 04 blue
Stacking and storage container trolley
2 swivel wheels in rubber Ø 125 mm with brake
2 fixed wheels in rubber Ø 125 mm
Overall dimensions: mm 840x590x955h
Load kg 250



Art. R CRG 0061 00
spare rubber wheel
with swivel support and brake



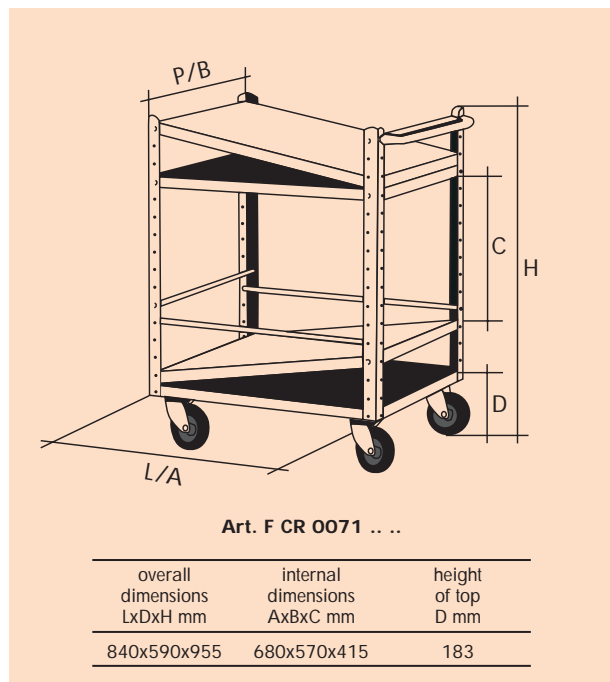
Art. R CRG 0060 00
spare rubber wheel
with fixed support



Art. F CR 0071 04 02 green
Art. F CR 0071 04 04 blue
with four size 4 containers



Art. F CR 0071 03 02 green
Art. F CR 0071 03 04 blue
with two size 5 containers



VARIOUS TROLLEYS

Fitted with shelves for plastic storage containers, the Art. F CR 0031 trolley is made from painted sheet metal and features a practical handle for trouble-free transport.

Electrophoresis painted in

02 green
RAL 6011

04 blue
RAL 5012



Load 250 kg



Art. F CR 0031 05 02 green
Art. F CR 0031 05 04 blue
with four size 4 containers



Art. F CR 0031 04 02 green
Art. F CR 0031 04 04 blue
with two size 4 containers
and one size 5 container



Art. F CR 0031 06 02 green
Art. F CR 0031 06 04 blue
with two size 5 containers



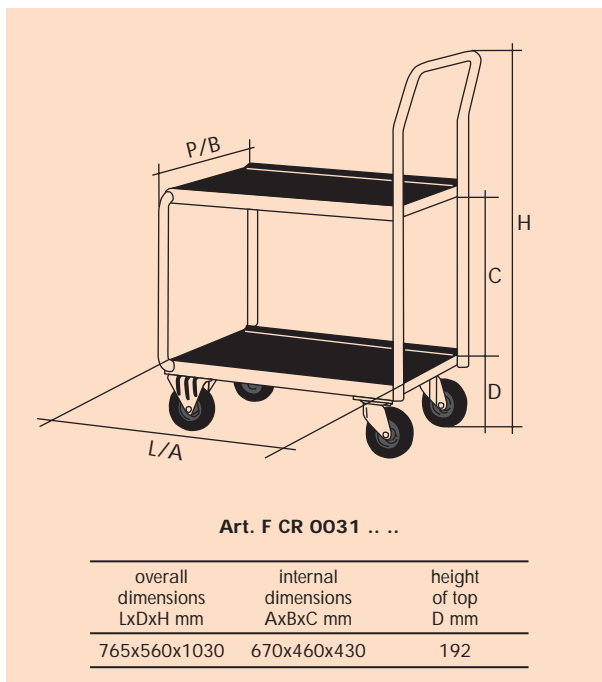
Art. F CR 0031 00 02 green
Art. F CR 0031 00 04 blue
Stacking and storage container trolley
2 swivel wheels in rubber Ø 125 mm with brake
2 fixed wheels in rubber Ø 125 mm
Overall dimensions: mm 765x560x1030h
Load kg 250



Art. R CRG 0061 00
spare rubber wheel
with swivel support and brake



Art. R CRG 0060 00
spare rubber wheel
with fixed support



VARIOUS TROLLEYS

The compact Art. F CR 0021 trolley is generally used where space is limited (near machines, shelving systems and in gangways). Its four swivel wheels make it easy to manoeuvre and it is fitted with shelves for plastic storage containers.

Electrophoresis painted in

02 green
RAL 6011

04 blue
RAL 5012



Load 150 kg

Art. F CR 0021 00 02 green
Art. F CR 0021 00 04 blue
Stacking and storage container trolley
4 swivel wheels in rubber Ø 100 mm
Overall dimensions: mm 555x445x845h
Load kg 150



Art. R CRG 0066 00
spare rubber wheel
with swivel support



Art. F CR 0021 04 02 green
Art. F CR 0021 04 04 blue
with four size 3 containers



Art. F CR 0021 05 02 green
Art. F CR 0021 05 04 blue
and one size 4 container



Art. F CR 0021 06 02 green
Art. F CR 0021 06 04 blue
with two size 4 containers

Art. F CR 0021 ...

overall dimensions LxDxH mm	internal dimensions AxBxC mm	height of top D mm
555x445x845	485x340x528	223



VARIOUS TROLLEYS

This trolley is made from sheet steel and comprises a base welded to four uprights featuring with slots every 50 mm. This allows the height of the central and upper shelves to be adjusted to optimise loading volumes.

Electrophoresis painted in

02 green
RAL 6011

04 blue
RAL 5012



Art. R CRG 0061 00
spare rubber wheel
with swivel support and brake



Art. R CRG 0060 00
spare rubber wheel
with fixed support



Load 250 kg

Art. F CR 0051 00 02 green
Art. F CR 0051 00 04 blue
Stacking and storage container trolley
2 swivel wheels in rubber Ø 125 mm with brake
2 fixed wheels in rubber Ø 125 mm
Overall dimensions: mm 840x590x955h
Load kg 250

Art. F CR 0051 ...

overall dimensions LxDxH mm	internal dimensions AxBxC mm	height of top D mm
840x590x955	720x568x740	185

NOTES _____

VARIOUS TROLLEYS

Made from galvanized sheet steel, the trolley is fitted with four swivel wheels without brakes. It is available either with or without handle and is perfect for transporting Athena series stacking containers.

99 hot galvanized

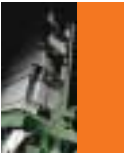


Art. R CRG 0067 00
spare rubber wheel with swivel support

Art. F CP 2011 02 99
Stacking and storage container trolley
4 swivel wheels in rubber Ø 100 mm
Overall dimensions: mm 610x410x170/870h
Load kg 150



Art. F CP 2011 01 99
Stacking and storage container trolley
4 swivel wheels in rubber Ø 100 mm
Overall dimensions: mm 610x410x170h



TROLLEYS FOR STACKING AND STORAGE CONTAINERS

The vast range of trolleys also includes a special series designed and made for Zeus and Compat storage containers and the Athena stacking containers.

The size of the trolleys, combined with their tilting and height adjustable shelves, make them suitable for various sizes of stacking and storage containers.

They are fitted with a practical handle for trouble-free transport.

Made from galvanized sheet metal, the F CP trolleys are fitted with inclined and height adjustable shelves and 4 wheels without brakes that make them easy to manoeuvre, even when fully loaded.

99 hot galvanized

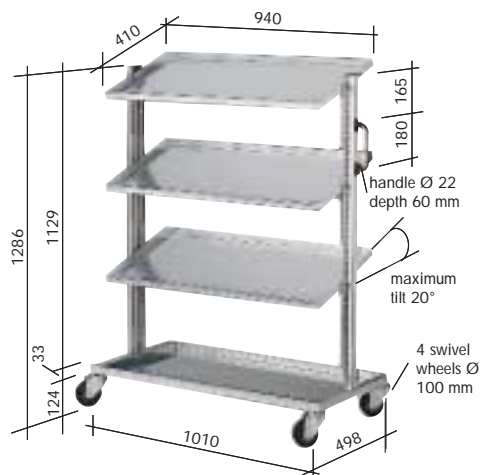
Art. R CRG 0066 00
Spare rubber wheel with swivel support



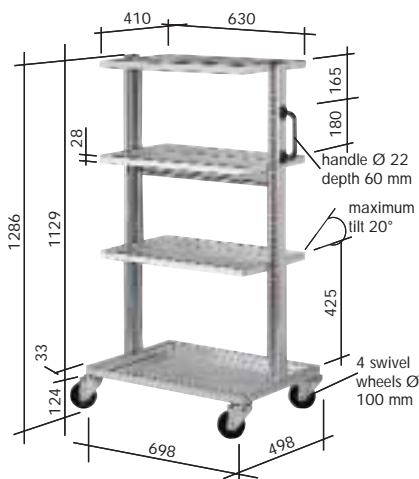
The trolley are supplied unassembled



Art. F CP 1201 06 99 with storage containers



Art. F CP 1201 01 99 without storage containers



Art. F CP 1101 06 99 with storage containers

Art. F CP 1101 01 99 without storage containers

please ask for the detailed catalogue



TROLLEYS FOR STACKING AND STORAGE CONTAINERS

Made from painted sheet steel, the F CH - F CG trolleys feature tilting and height adjustable shelves, available in wood and metal. They are fitted with a practical handle for trouble-free transport while 2 fixed and 2 swivel wheels, with or without brakes, make them easy to manoeuvre, even when fully loaded.

Electrophoresis painted in

02 green
RAL 6011

04 blue
RAL 5012



The trolley are supplied unassembled



Dim.: mm 1425x525x1490h



Dim.: mm 1425x625x1590h

Art.
F CG N155 14 02 green
with yellow storage containers
Art.
F CG N155 13 02 green
without storage containers

Art.
F CG N155 14 04 blue
with yellow storage containers
Art.
F CG N155 13 04 blue
without storage containers

Art.
F CH N205 13 02 green
with grey storage containers
Art.
F CH N205 12 02 green
without storage containers

Art.
F CH N205 13 04 blue
with grey storage containers
Art.
F CH N205 12 04 blue
without storage containers



Dim.: mm 1425x625x1590h

Art.
F CH N206 16 02 green
with grey storage containers
Art.
F CH N206 15 02 green
without storage containers

Art.
F CH N206 16 04 blue
with grey storage containers
Art.
F CH N206 15 04 blue
without storage containers



Dim.: mm 1425x525x1490h

Art.
F CG N156 14 02 green
with yellow storage containers
Art.
F CG N156 13 02 green
without storage containers

Art.
F CG N156 14 04 blue
with yellow storage containers
Art.
F CG N156 13 04 blue
without storage containers