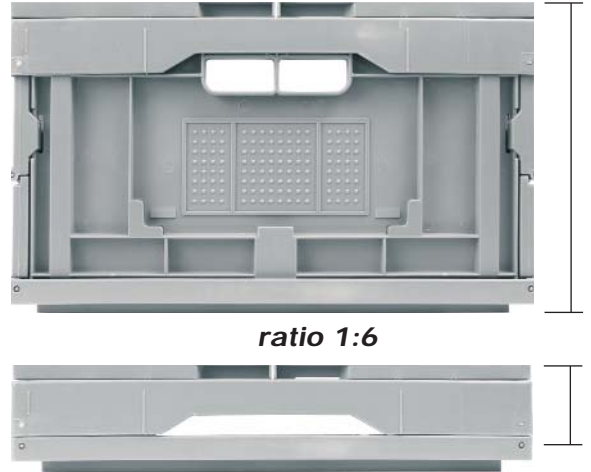
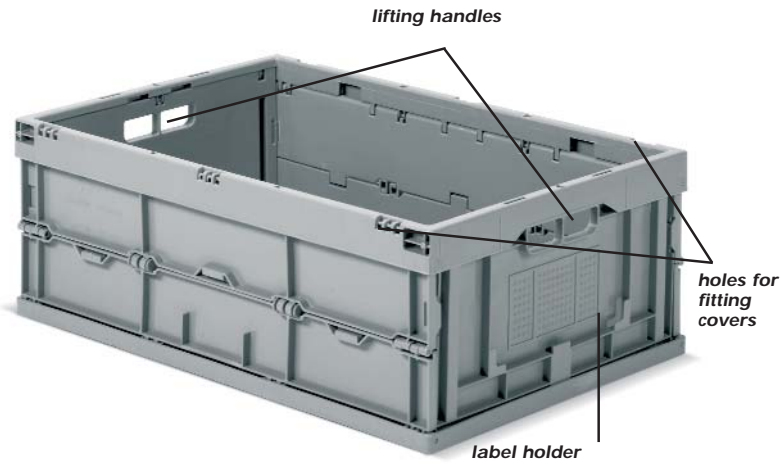
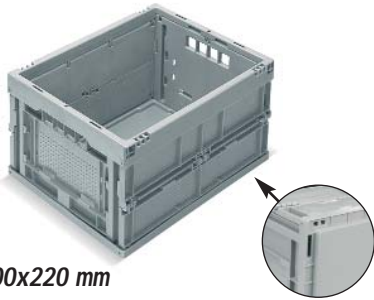




01
grey



Nettuno stacking containers series F PF 400x300

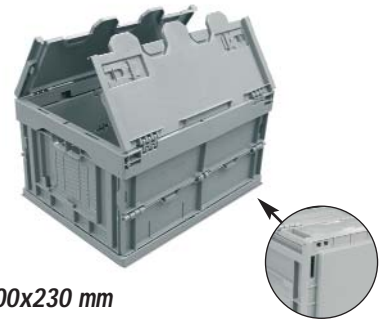


400x300x220 mm

Ord. no. F PF 4851 BB 01

External dim. mm	400x300x220 h
Closed dimensions mm	400x300x70 h
Capacity litres	22
Weight gr	1308
Standard colour*	
	Solid bottom
	Long sides closed
	Short sides closed
	Lifting holes

Label holder: order no. F PZ 9551 00 07. See page F15.



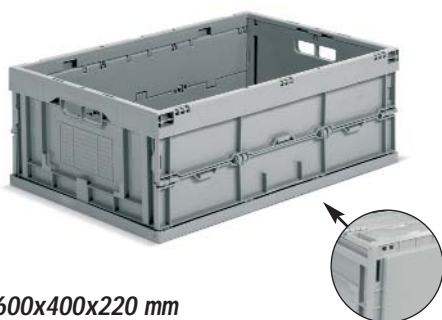
400x300x230 mm

Ord. no. F PF 4851 BA 01

External dim. mm	400x300x230 h
Closed dimensions mm	400x300x85 h
Capacity litres	22
Weight gr	1654
Standard colour*	
	Solid bottom
	Long sides closed
	Short sides closed
	Lifting holes
Complete with hinged lid	
	Long sides closed
	Short sides closed
	Lifting holes

Label holder: order no. F PZ 9551 00 07. See page F15.

Nettuno stacking containers series F PF 600x400



600x400x220 mm

Ord. no. F PF 6851 BB 01

External dim. mm	600x400x220 h	
Closed dimensions mm	600x400x68 h	
Capacity litres	45	
Weight gr	2170	
Standard colour*	■	
	Solid	bottom
	Long sides	closed
	Short sides	closed
	Lifting	holes

Label holder: order no. F PZ 9751 00 07. See page F15.

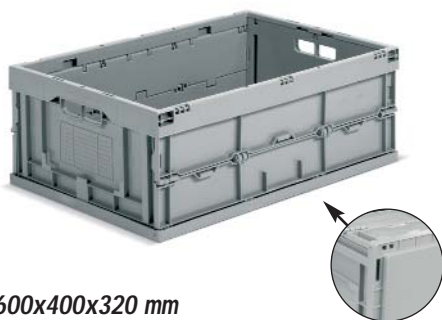


600x400x230 mm

Ord. no. F PF 6851 BA 01

External dim. mm	600x400x230 h	
Closed dimensions mm	600x400x80 h	
Capacity litres	45	
Weight gr	2870	
Standard colour*	■	
	Solid	bottom
Complete with hinged lid	Long sides	closed
	Short sides	closed
	Lifting	holes

Label holder: order no. F PZ 9751 00 07. See page F15.



600x400x320 mm

Ord. no. F PF 7651 BB 01

External dim. mm	600x400x320 h	
Closed dimensions mm	600x400x70 h	
Capacity litres	65	
Weight gr	2642	
Standard colour*	■	
	Solid	bottom
	Long sides	closed
	Short sides	closed
	Lifting	holes

Label holder: order no. F PZ 9751 00 07. See page F15.



600x400x330 mm

Ord. no. F PF 7651 BA 01

External dim. mm	600x400x330 h	
Closed dimensions mm	600x400x82 h	
Capacity litres	65	
Weight gr	3338	
Standard colour*	■	
	Solid	bottom
Complete with hinged lid	Long sides	closed
	Short sides	closed
	Lifting	holes

Label holder: order no. F PZ 9751 00 07. See page F15.